



DISH TABLES

CLEAN DISH TABLES

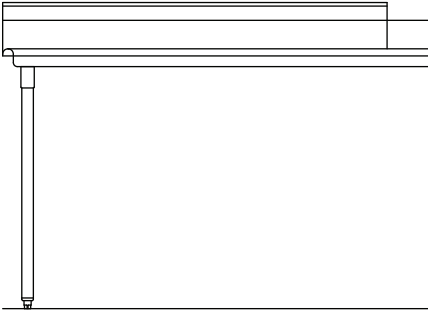


Item #:

Qty #:

Model #:

Project #:



DISH TABLE FEATURES:

All dish tables featured are 30" wide

Sanitary 180 degree rolled edges at free sides

Backsplash is 9" high including 2" return at 45 degree angle with ends closed, tile edge for easy installation

DISH TABLE OPTIONS:

PARAMOUNT SERIES

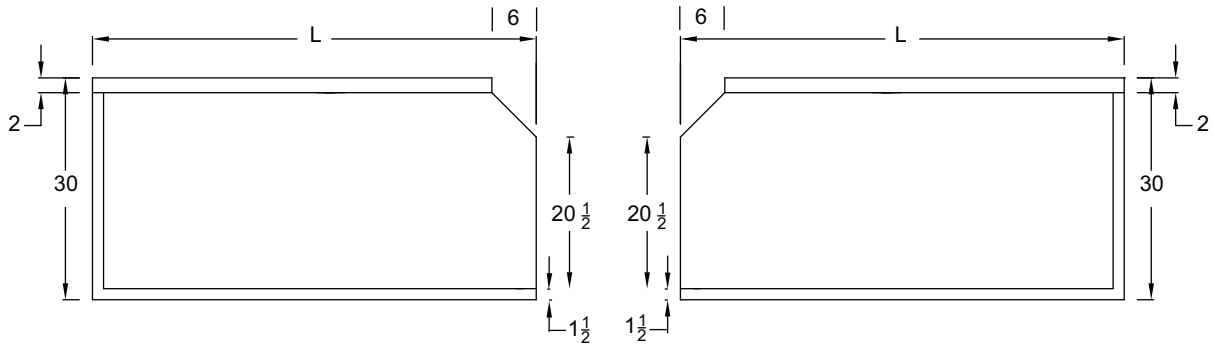
- 14 Gauge type 304 stainless steel tops
- 14 Gauge type 304 stainless bowls
- Stainless steel H-frame legs

STANDARD SERIES

- 16 gauge type 304 stainless steel tops
- 16 gauge type 304 stainless steel bowls
- Galvanized legs

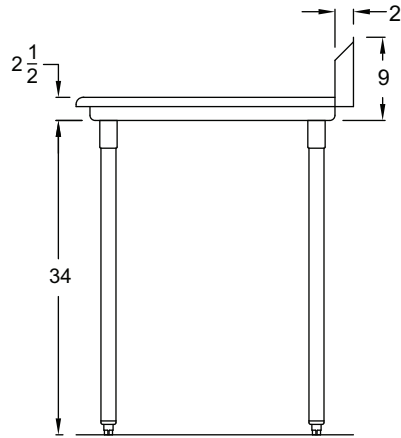
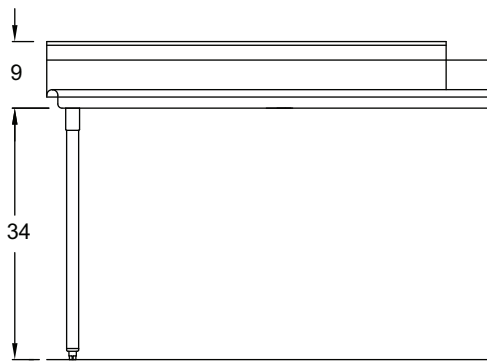
CLEAN	PARAMOUNT		STANDARD	
LENGTH	MODEL	WT	MODEL	WT
2 FT	RJ-P-DTC-2 L or R	42	RJ-S-DTC-2 L or R	40
3 FT	RJ-P-DTC-3 L or R	45	RJ-S-DTC-3 L or R	45
4 FT	RJ-P-DTC-4 L or R	55	RJ-S-DTC-4 L or R	50
5 FT	RJ-P-DTC-5 L or R	65	RJ-S-DTC-5 L or R	60
6 FT	RJ-P-DTC-6 L or R	88	RJ-S-DTC-6 L or R	75
7 FT	RJ-P-DTC-7 L or R	110	RJ-S-DTC-7 L or R	95
8 FT	RJ-P-DTC-8 L or R	120	RJ-S-DTC-8 L or R	110
9 FT	RJ-P-DTC-9 L or R	130	RJ-S-DTC-9 L or R	125
10 FT	RJ-P-DTC-10 L or R	140	RJ-S-DTC-10 L or R	135

DIMENSIONS & SPECIFICATIONS



LEFT CLEAN DISH TABLE

RIGHT CLEAN DISH TABLE



DIMENSIONS ARE TYPICAL (TOL. +/- 1/2")

MODEL	L
RJ-DTC-2 L or R	36
RJ-DTC-3 L or R	36
RJ-DTC-4 L or R	48
RJ-DTC-5 L or R	60
RJ-DTC-6 L or R	72
RJ-DTC-7 L or R	84
RJ-DTC-8 L or R	96
RJ-DTC-9 L or R	108
RJ-DTC-10 L or R	120